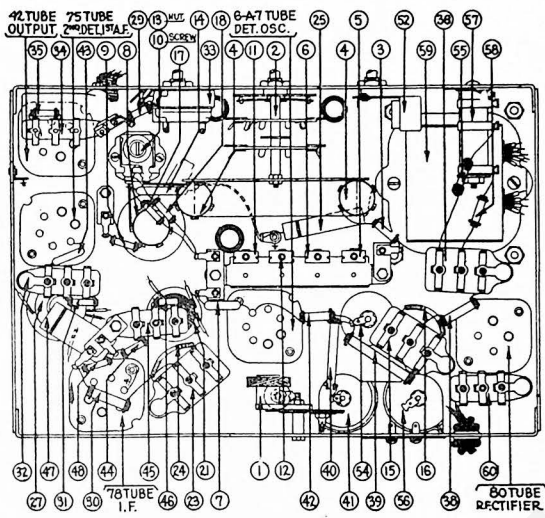


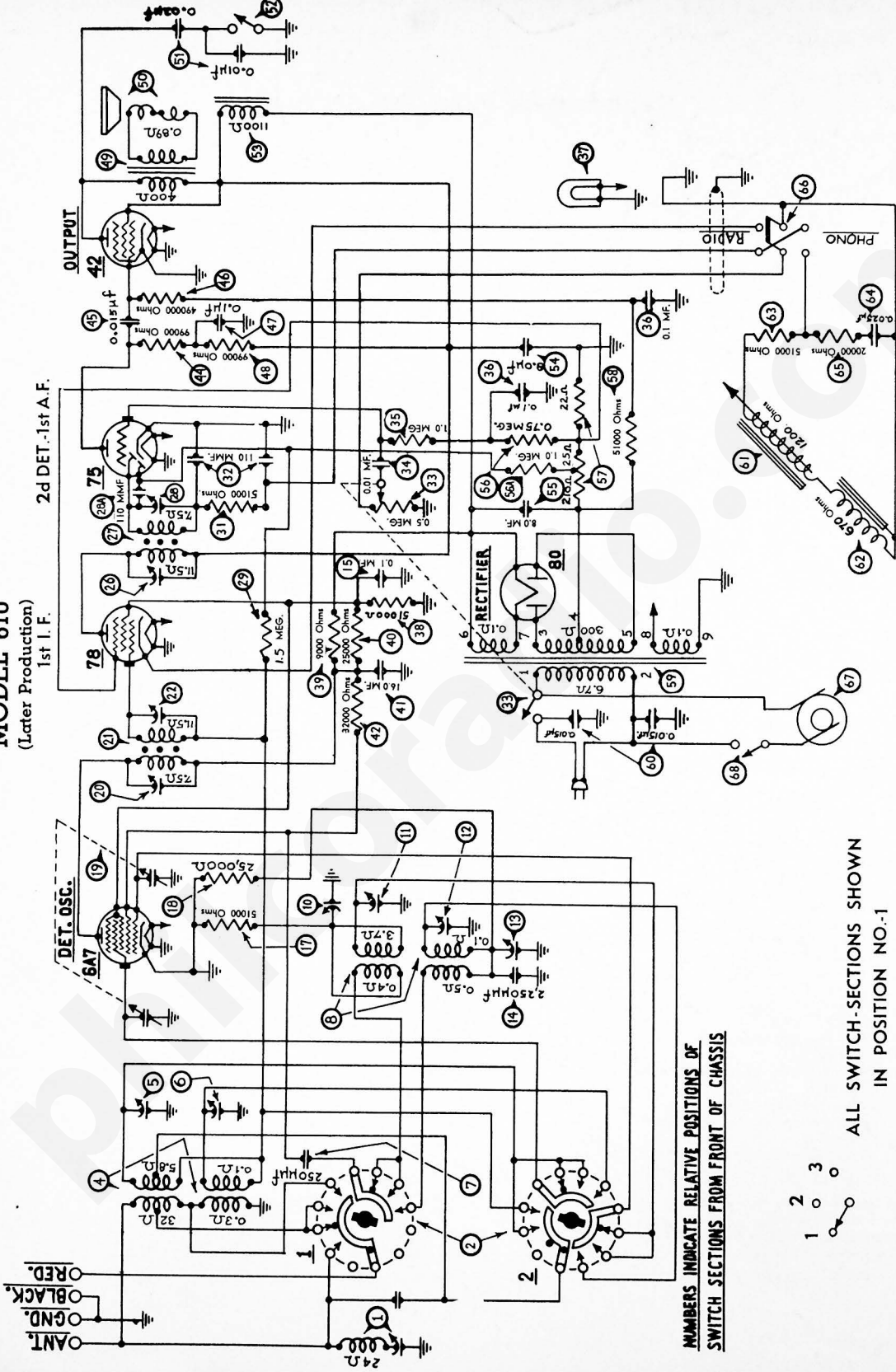
Replacement Parts—Model 610



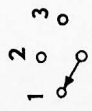
Description	Part No.
1 Wavetrap.....	38-6850
2 Waveband Switch.....	42-1112
3 Resistor (5000 ohms) (Green, Black, Red).....	6096
4 Antenna Transformer.....	32-1669
5 Compensating Condenser (Antenna, Standard).....	Part of 31-6047
6 Compensating Condenser (Antenna, S.W.).....	Part of 31-6047
7 Condenser (.00025 Mfd. Mica).....	5858
8 Oscillator Transformer.....	32-1670
9 Resistor (20 ohms) (Red, Black, Black).....	33-1206
10 Compensating Condenser (Osc. L.F. Standard) (Screw).....	Part of 31-6027
11 Compensating Condenser (Osc. H.F., Standard).....	Part of 31-6047
12 Compensating Condenser (Osc. S.W., H.F. End).....	Part of 31-6047
13 Compensating Condenser (Osc. S.W., L.F. End) (Nut).....	Part of 31-6027
14 Condenser (.00225 Mfd. Mica).....	30-1055
15 Co. denser (.09 Mfd. Twin Bakelite Block).....	4989-DG
16 Resistor (300 ohms Flexible) (Orange, Black, Brown).....	33-3010
17 Resistor (50000 ohms) (Green, Brown, Orange).....	6098
18 Resistor (25000 ohms) (Red, Green, Orange).....	33-1013
19 Tuning Condenser Assembly.....	31-1528
20 Compensating Condenser (1st I.F. Primary).....	Part of 20
21 1st I.F. Transformer.....	32-1671
22 Compensating Condenser (1st I.F. Secondary).....	Part of 20
23 Condenser (.09 Mfd., and .01 Mfd. Bakelite Block).....	4989-FU
24 Resistor (400 ohms Flexible) (Yellow, Black, Brown).....	33-3016

Description	Part No
25 Condenser (.05 Mfd. Tubular).....	30-4020
26 Compensating Condenser (2nd I.F. Primary).....	Part of 27
27 2nd I.F. Transformer.....	32-1672
28 Compensating Condenser (2nd I.F. Secondary).....	Part of 27
29 Resistor (2 Megs.) (Red, Black, Green).....	33-1025
30 Resistor (1000 ohms) (Brown, Black, Red).....	5837
31 Resistor (50000 ohms) (Green, Brown, Orange).....	6098
32 Condenser (.00011 Twin Bakelite Block).....	8035-DG
33 Volume Control & On-Off Switch.....	33-5106
34 Condenser (.01 Mfd. Bakelite Block).....	3903-SU
35 Resistor (1 Meg.) (Brown, Black, Green).....	33-1096
36 Condenser (.1 Mfd. Twin Bakelite Block).....	4989-DG
37 Pilot Lamp.....	34-2064
38 Resistor (50000 ohms) (Green, Brown, Orange).....	4237
39 Resistor (10000 ohms) (Brown, Black, Orange).....	3524
40 Resistor (25000 ohms) (Red, Green, Orange).....	3656
41 Condenser (Electrolytic—16 Mfd.).....	30-2118
42 Resistor (32000 ohms) (Orange, Red, Orange).....	5279
43 Condenser (.00011 Mfd. Mica).....	30-1031
44 Resistor (.1 Meg.) (Brown, Black, Green).....	6099
45 Condenser (.015 Mfd., Bakelite Block).....	3793-SU
46 Resistor (.5 Meg.) (Yellow, White, Yellow).....	6097
47 Condenser (.1 Mfd. Tubular).....	30-4170
48 Resistor (.1 Meg.) (White, White, Yellow).....	6099
49 Output Transformer.....	32-7019
50 Cone & Voice Coil Assembly (P-27 Speaker).....	02861
51 Condensers (in Tone Control).....	Part of 52
52 Tone Control.....	30-4318
53 Field Coil & Pot Assembly (P-27 Speaker).....	36-3341
54 Condenser (Electrolytic—8 Mfd.).....	30-2025
55 Resistor (750000 ohms) (Violet, Green, Yellow) (½ Watt).....	33-1203
56 Condenser (Electrolytic) (8 Mfd.).....	30-2025
57 Resistor (B.C. Wire-wound, 235 ohms, 25 ohms).....	33-3037
58 Resistor (50000 ohms) (Green, Brown, Orange).....	6098
59 Power Transformer (110 volts 60 cycles).....	32-7381
(110 volts 25 cycles).....	32-7382
(230 volts 50 cycles).....	32-7383
60 Condenser (.015 Mfd. Twin Bakelite Block).....	3793-DG
Dial Assembly.....	31-1539
Tube Shield Body.....	28-2726
Tube Shield Base.....	28-2725
Four Prong Socket.....	27-6034
Six Prong Socket.....	27-6036
Seven Prong Socket.....	27-6037
Knob (Station Selector).....	27-4206
Knob (Fine Tuning).....	27-4207
Knob (Volume, Waveband and Tone Control).....	27-4208
Bezel.....	27-2928
Bezel Glass.....	27-7887

MODEL 610
(Later Production)
1st I. F.



NUMBERS INDICATE RELATIVE POSITIONS OF SWITCH SECTIONS FROM FRONT OF CHASSIS



ALL SWITCH-SECTIONS SHOWN IN POSITION NO.1

I.F. = 460 KC.

ANT. GND. BLACK. RED.

MODEL 610

Later 1935 Production Runs

This sheet also covers the Philco Radio-Phonograph 610PF. All circuit and part number changes up to date have been included.

Beginning with run No. 9 the grid bias arrangement for the 6A7 1st detector and 78 I.F. was changed. A fixed bias

from the B.C. resistor is fed through the AVC circuit to the grids of these tubes.

Beginning with run No. 11 the oscillator circuit was changed to series feed to eliminate possibilities of failure at 6.0 mc.

Beginning with run No. 14 the dial mask assembly was changed to the glowing arrow wave band indicator type.

PARTS LIST

Description	Part No.	Description	Part No.
① Wavetrap	38-6777	Ⓞ Condenser (.1 Mfd. Tubular).....	30-4170
① Waveband Switch	42-1152	Ⓞ Resistor (.1 Meg.) (White, White, Yellow)....	6099
② Antenna Transformer	32-1669	Ⓞ Output Transformer	32-7019
③ Compensating Condenser (Antenna, Standard)	Part of 31-6047	Ⓞ Cone & Voice Coil Assembly (P-27 Speaker)...	02861
③ Compensating Condenser (Antenna, S.W.)	Part of 31-6047	Ⓞ Condensers (in Tone Control).....	Part of Ⓞ
⑦ Condenser (.00025 Mfd. Mica).....	30-1032	Ⓞ Tone Control	30-4318
⑧ Oscillator Transformer	32-1973	Ⓞ Field Coil & Pot Assembly (P-27 Speaker).....	36-3341
⑨ Compensating Condenser (Osc. L.F. Standard)	Part of 31-6027	Ⓞ Condenser (Electrolytic—8 Mfd.).....	30-2025
(Screw)	Part of 31-6027	Ⓞ Resistor (750000 ohms) (Violet, Green, Yellow)	($\frac{1}{2}$ Watt)
⑩ Compensating Condenser (Osc. H.F., Standard)	Part of 31-6047	Ⓞ Condenser (Electrolytic) (8 Mfd.).....	30-2025
⑬ Compensating Condenser (Osc. S.W., H.F. End)	Part of 31-6047	Ⓞ Resistor (1. Megohm) (Brown, Black, Green)...	33-1096
⑬ Compensating Condenser (Osc. S.W., L.F. End)	Part of 31-6027	Ⓞ Resistor (B.C. Wire-wound, 22 ohms, 25 ohms,	210 ohms).....
(Nut)	Part of 31-6027	33-3222
⑭ Condenser (.00225 Mfd. Mica).....	30-1055	Ⓞ Resistor (50000 ohms) (Green, Brown, Orange)	6098
⑮ Resistor (50000 ohms) (Green, Brown, Orange)	6098	Ⓞ Power Transformer (110 volts, 60 cycles).....	32-7381
⑮ Resistor (25000 ohms) (Red, Green, Orange)..	33-1013	(110 volts, 25 cycles).....	32-7382
⑯ Tuning Condenser Assembly.....	31-1740	(230 volts, 50 cycles).....	32-7383
Ⓜ Compensating Condenser (1st I.F. Primary)....	Part of Ⓜ	Ⓞ Condenser (.015 Mfd. Twin Bakelite Block)...	3793-DG
Ⓜ 1st I.F. Transformer.....	32-1671	Ⓞ Pickup Head	35-2014
Ⓜ Compensating Condenser (1st I.F. Secondary)..	Part of Ⓜ	Ⓞ Hum Bucking Coil.....	32-1940
Ⓜ Condenser (.05 Mfd. Tubular).....	30-4020	Ⓞ Resistor (51,000 ohm).....	6098
Ⓜ Compensating Condenser (2nd I.F. Primary)....	Part of Ⓜ	Ⓞ Resistor (20,000 ohm).....	33-1178
Ⓜ 2nd I.F. Transformer.....	32-1672	Ⓞ Condenser (.025 mf.).....	7653-SU
Ⓜ Compensating Condenser (2nd I.F. Secondary)..	Part of Ⓜ	Ⓞ Phono. Radio Switch & Cable Assy.....	35-3014
Ⓜ Resistor (2 Megs.) (Red, Black, Green).....	33-1188	Ⓞ Phono. Radio Motor (115 V., 60 cycles).....	35-1116
Ⓜ Resistor (50000 ohms) (Green, Brown, Orange)	6098	Ⓞ Phono. Radio Motor Switch.....	4535
Ⓜ Condenser (.00011 Twin Bakelite Block).....	8035-DG	Glowing Arrow Mask	27-5162
Ⓜ Volume Control & On-Off Switch.....	33-5106	Glowing Arrow Screen	27-5161
Ⓜ Condenser (.01 Mfd. Bakelite Block).....	3903-SU	Mask Arm	29-3274
Ⓜ Resistor (1 Meg.) (Brown, Black, Green).....	33-1096	Link	29-3285
Ⓜ Condenser (.1 Mfd. Twin Bakelite Block).....	4989-DG	Coupling	29-3586
Ⓞ Pilot Lamp	34-2039	Screen Bracket Assy.....	31-1745
Ⓞ Resistor (50000 ohms) (Green, Brown, Orange)	4237	Dial Mask	27-5137
Ⓞ Resistor (9000 ohms) (Black, White, Orange)..	33-1215	Dial Assembly	31-1539
Ⓞ Resistor (25000 ohms) (Red, Green, Orange)..	3656	Tube Shield Body	28-2726
Ⓞ Condenser (Electrolytic—16 Mfd.).....	30-2118	Tube Shield Base.....	28-2725
Ⓞ Resistor (32000 ohms) (Orange, Red, Orange).	5279	Four Prong Socket.....	27-6034
Ⓞ Resistor (.1 Meg.) (Brown, Black, Green).....	6099	Six Prong Socket.....	27-6036
Ⓞ Condenser (.015 Mfd. Bakelite Block).....	3793-SU	Seven Prong Socket.....	27-6037
Ⓞ Resistor (.5 Meg.) (Yellow, White, Yellow)....	6097	Knob (Station Selector).....	27-4206
		Knob (Fine Tuning).....	27-4207
		Knob (Volume, Waveband and Tone Control)...	27-4208
		Bezel	28-2928
		Bezel Glass	27-7887